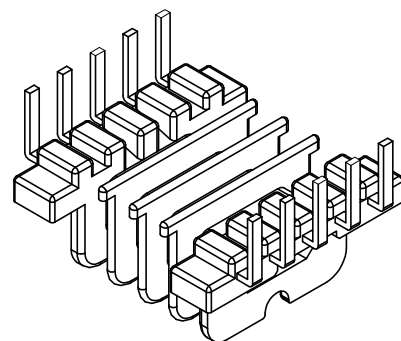
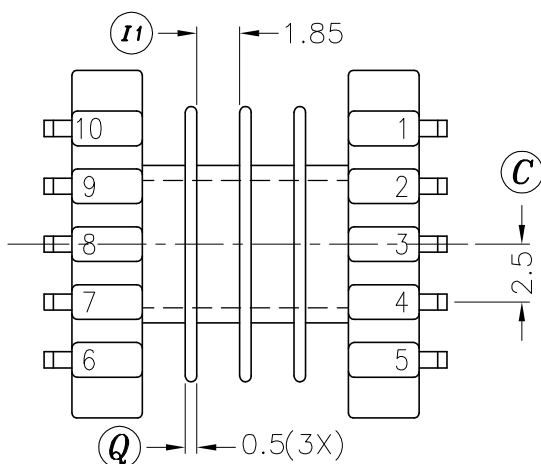
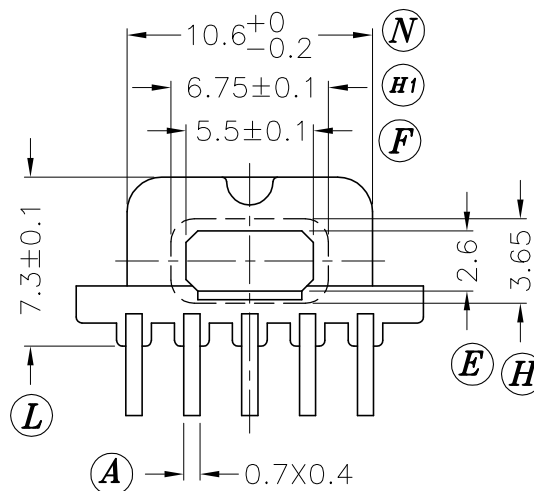
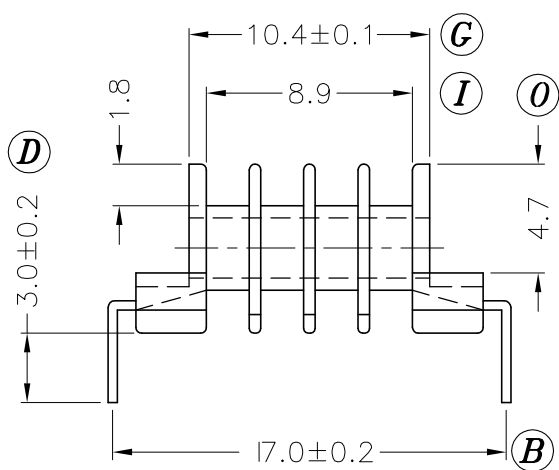
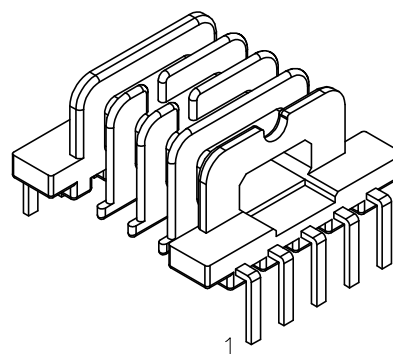
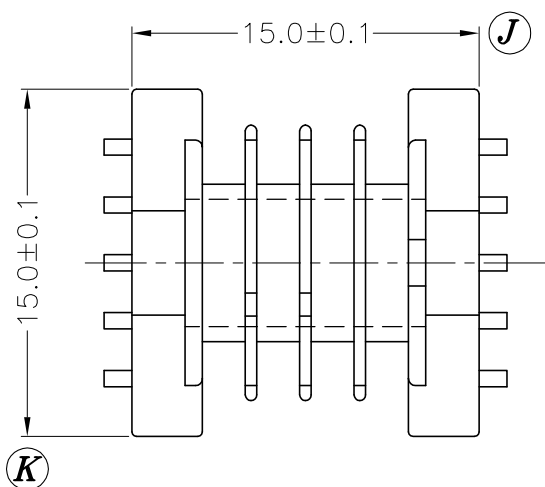


FERYSTER Inductive Components

ul. Traugutta 4 , 68-120 Iłowa Poland

http://www.feryster.com.pl e-mail: info@feryster.com.pl



DOSTAWCA:	TOLERANCES		ANGLE:	TITLE: EFD15-K-10P-4S		
	$0 < L \leq 4 \pm 0.1$	pin pitch ± 0.2	$\pm 1^\circ$	BORBIN MATERIAL:	LCP E4008	UL REC. UL 94V-0
FERYSTER Inductive Components Tel: +48 68 360 00 76 fax: +48 68 360 00 70	$4 < L \leq 16 \pm 0.2$		UNIT:	PIN MATERIAL:		PIN TENSION LOAD:
	$16 < L \leq 63 \pm 0.3$		MM	PHOSPHOR BRONZE		1.5KG MIN
			ORIGIN:	DATE:	DRAWING NO.	REV.
		DG	APR.01 '2003	P-1507	1	